

IWPR

Pico Racing Fuel Injector
Up to 1.0 MPa - Up to 1.0 L/min

Description

IWPR injector has been developed to meet the market requirements for a cheap and reliable injector for medium & low level race injection systems.

It is available in the basic configuration, customized in spray shape and in fuel flow and selected in narrow precision classes.

Main Features

- Delivery pressure range 0.3 to 1(*) MPa
- Static flow range 0.15 to 1.0 L/min
- Driver current 0.8 A

(*) > 0.8 MPa with supply voltage > 8 V



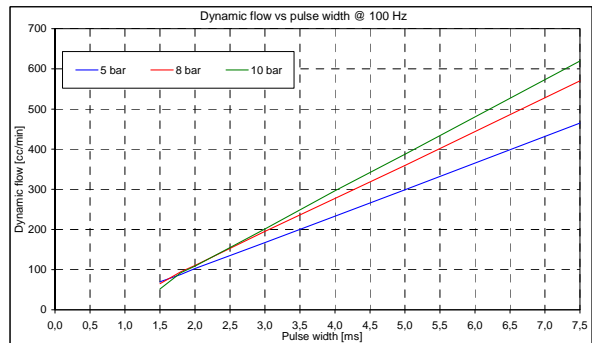
Benefits

- Multihole spray shaping
- Under request, custom spray configuration can be studied
- On/Off driven
- High precision
- Can be used also with methanol
- Small dimension & weight

Typical Applications

In circuit and rallies medium & low level application
Race motorcycle application

Typical Performance



INJECTORS

IWPR

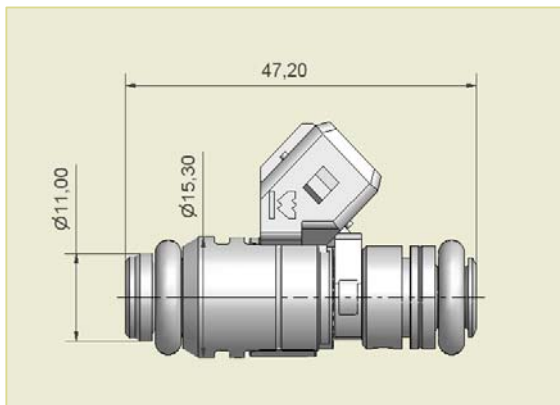
Pico Racing Fuel Injector
Up to 1.0 MPa - Up to 1.0 L/min

Technical Characteristics

| | | |
|----------------------------------|-----------------------------|-------|
| Delivery pressure range..... | 0.3 to 1(*) | MPa |
| Static flow range | 0.15 to 1.0 | L/min |
| Driver current | 0.8 | A |
| Single Jet bent angle | 0° to 15° | |
| Power supply | 8 to 16 | V |
| Operating temperature range..... | -20 to 120 | °C |
| Connector type..... | AMP Junior 2 ways minitimer | |
| Weight..... | 35 | g |

(*) > 0.8 MPa with supply voltage > 8 V

Dimensions



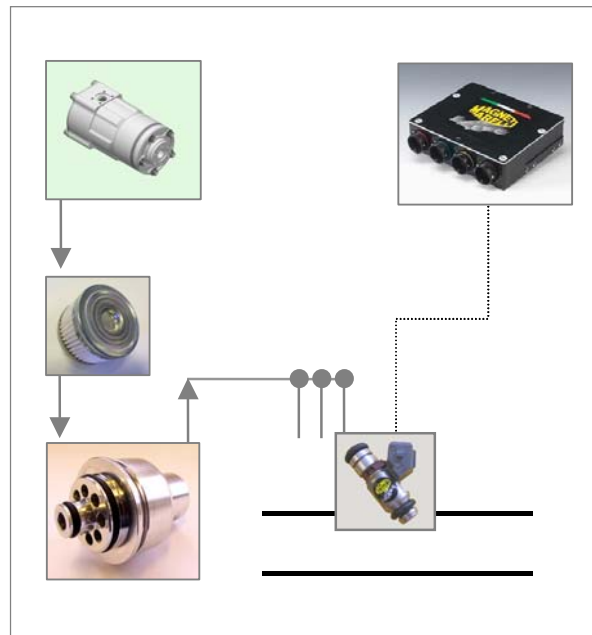
Dimensions in millimetres

IWPR Family

| Injector | IWPR1 | IWPR2 | IWPR3 | IWPR4 | IWPR5 | IWPR6 | |
|------------------|--------------|--------------|--------------|----------|------------------|--------------|----------------------|
| Nominal pressure | 1000 | 1000 | 1000 | 1000 | 1000 | 1000 | kPa |
| Static flow rate | 690 | 935 | 740 | 1005 | 485 | 1160 | cm ³ /min |
| Spray shape | Single spray | Single spray | Single spray | Twin jet | Helliptical cone | Single spray | |

Note: flow rate in n-heptane

Application Schematics



For further information, please contact:



Magneti Marelli S.p.A.
Motorsport
Viale Aldo Borletti, 61/63
20011 Corbetta (Milano) Italy

Tel. +39 02 972 27 478
Fax +39 02 972 27 570
sales@magnetimarelli.com
http://www.magnetimarelli.com

November 2010
rel. 08
page 2 of 2

IWPR-0838XXXXXX00